

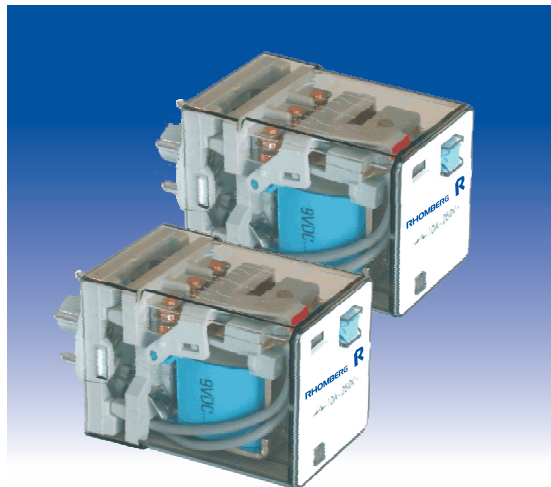
## Features

### TYPE: R60.02

- 8-Pin plug in format
- 2 Pole change-over contacts
- Contact rating 10 Amps
- Test button colour coding: Orange for AC  
Blue for DC.

### TYPE: R60.03

- 11-Pin plug in format
- 3 Pole change-over contacts
- Contact rating 10 Amps
- Test button colour coding: Orange for AC  
Blue for DC.

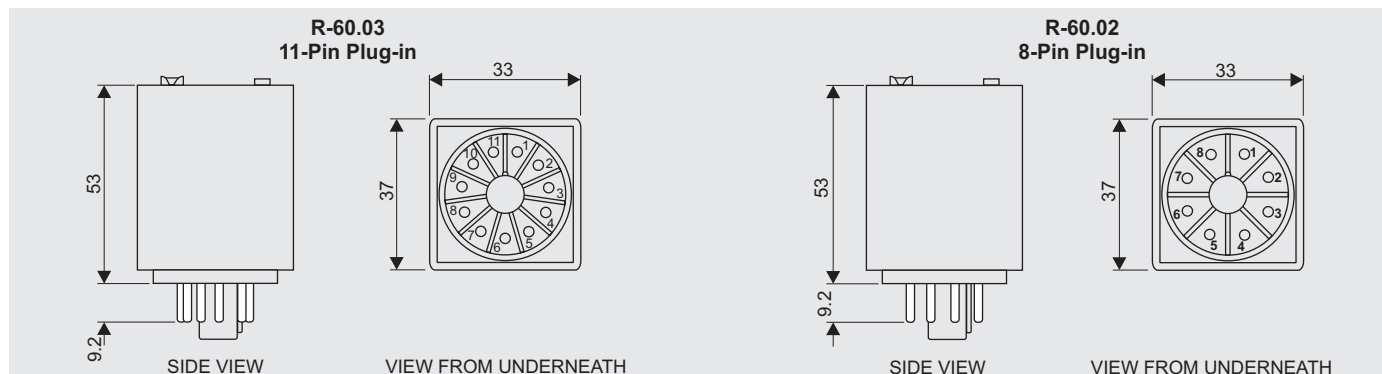


### ORDERING CODE

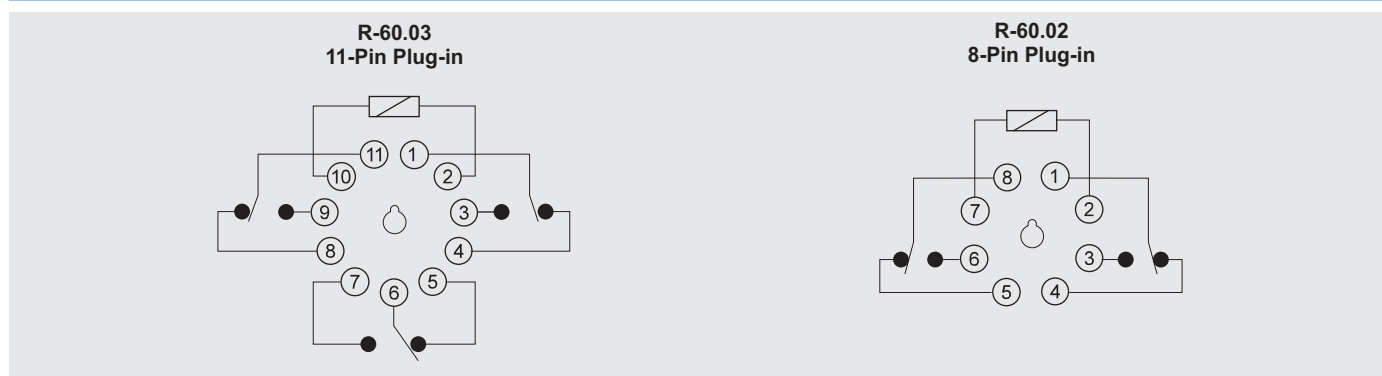
TYPE	MODEL	CONTACTS	VOLTAGE	POWER SUPPLY
R	60	03	220	A

SEE PAGE 116 FOR ORDERING OPTIONS

## Dimensional Diagrams



## Wiring and Connection



## Technical Specifications

TYPE: R60.03 11-Pin	
Contact Rating	Coil Voltages
10A @ 250V AC	12 and 24V DC
10A @ 30V DC	24, 110, 220V AC

TYPE: R60.02 8-Pin	
Contact Rating	Coil Voltages
10A @ 250V AC	12 and 24V DC
10A @ 30V DC	24, 110, 220V AC

Additional information in Section J, page 131.